

AHC Counting Scales

General Specifications

- | | |
|------------------|--|
| • Display | 20mm digit LCD display, with white LED backlight |
| • Capacities | 3kg~30kg |
| • Pan size | 230 x 300mm |
| • Keyboard | 20 keys(Membrane keyboard) |
| • Housing | ABS plastic |
| • Max. Divisions | 3,000e; 2 x 3,000e; 30,000d; 60,000d |
| • ADC update | ≤ 1/10 second |
| • Operate Temp | -10°C~+40°C |
| • Power | AC adapter (12V/500mA), internal rechargeable battery (6V/4Ah) |
| • Gross weight | 5kg |



- Responds quickly with accurate weights
- Applications: 1. Piece counting 2. Preset tare 3. Piece checking alarm 4. Accumulation
- Counting method: 1. Sample 2. Enter unit weight
- OIML approval from NMI (approval no.T7305)
- Battery provides up to 70 hours of continuous use(without backlight)
- Optional RS-232 interface, connect to computer or printer
- Optional initial-verification



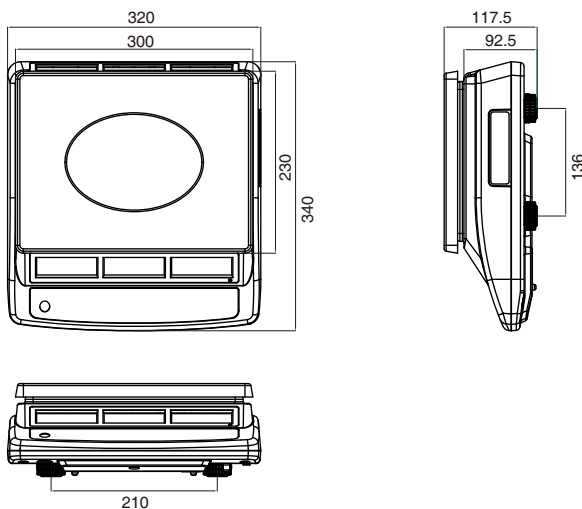
AHC Counting Scales

Model Number	Capacity	Readability	Division	Approx. weight	Approval
AHC-3K	3kg	0.1g	30,000d	5kg	CE
AHC-6K	6kg	0.2g	30,000d	5kg	CE
AHC-15K	15kg	0.5g	30,000d	5kg	CE
AHC-30K	30kg	1g	30,000d	5kg	CE
AHC+-3K	3kg	0.05g	60,000d	5kg	CE
AHC+-6K	6kg	0.1g	60,000d	5kg	CE
AHC+-15K	15kg	0.2g	60,000d	5kg	CE
AHC+-30K	30kg	0.5g	60,000d	5kg	CE
AHC-3K-M	3kg	1g	3,000e	5kg	CE, OIML
AHC-6K-M	6kg	2g	3,000e	5kg	CE, OIML
AHC-15K-M	15kg	5g	3,000e	5kg	CE, OIML
AHC-30K-M	30kg	10g	3,000e	5kg	CE, OIML
AHC-6K-MR	6kg	1g/2g	2x3,000e	5kg	CE, OIML
AHC-15K-MR	15kg	2g/5g	2x3,000e	5kg	CE, OIML
AHC-30K-MR	30kg	5g/10g	2x3,000e	5kg	CE, OIML

Options



Dimensions(mm)



Print formats

